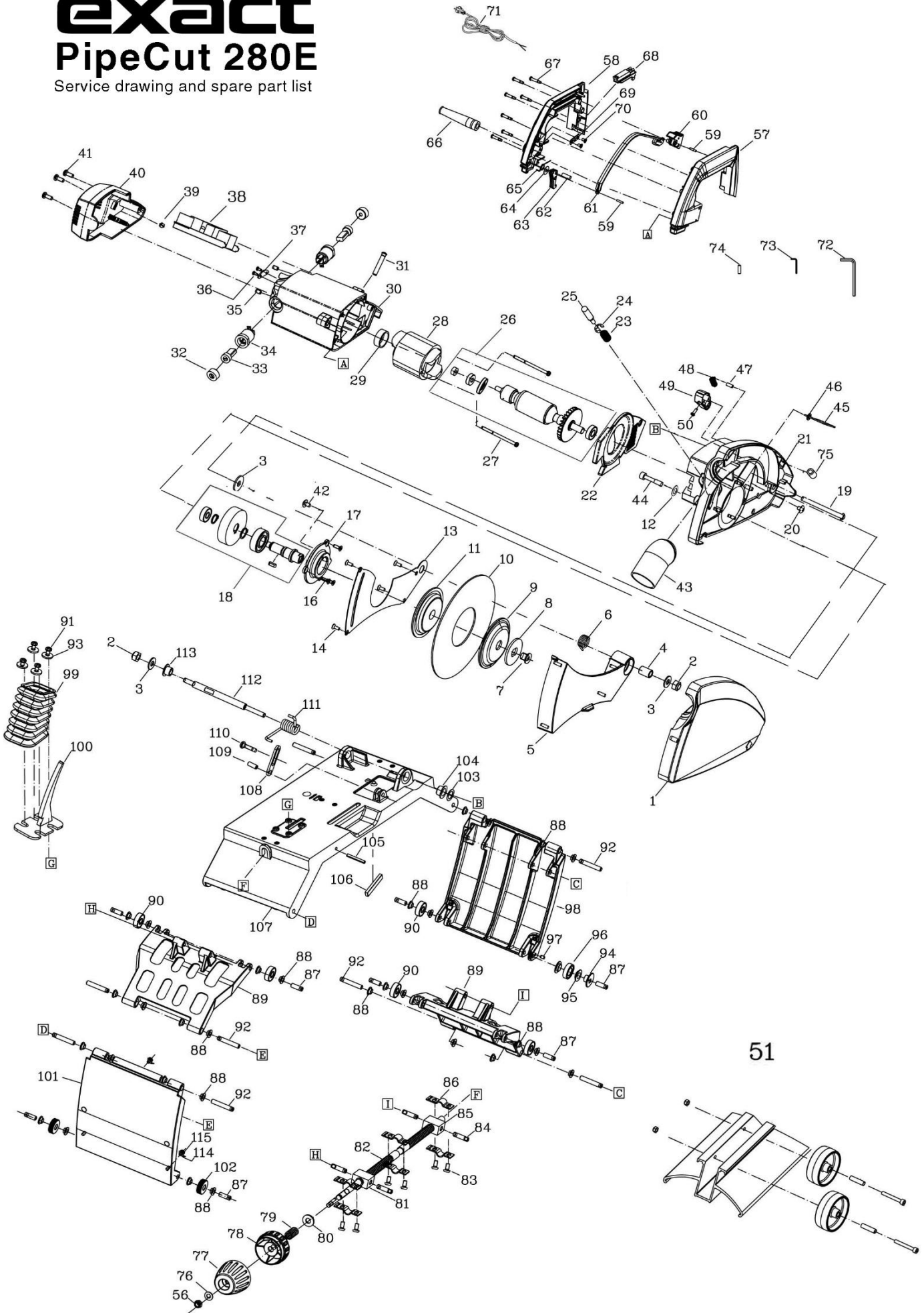


exact PipeCut 280E

Service drawing and spare part list



Exact PipeCut 280E

Pos.	Part n:o	Description	Pcs/unit
1	101E310UExact	Blade guard top 280E	1
2	11882-00	Hex nut M8 Nylock	2
3	2501MBDN34	Washer 8.2X18-1.5	2
4	101E3125	Lower blade guard bushing	1
5	101E310V	Lower blade guard	1
6	101E313E	Blade guard spring 280E	1
7	10987-01	Blade screw M10x10 BN 1206	1
8	10944-01	Pulling flange washer	1
9	11542-00	Attachment flange	1
11	11543-00	Blade flange	1
13	101E311B	Lower blade guard plate	1
14	260420VF	Lower blade guard screw M4 X 10	4
16	26042734	Secondary cog wheel screw M4 x 12	3
17+18	310X+310MP	Secondary cog wheel SA 280E	1
19	264731NV	Screw torx M5 x 60	5
20	26802TFY	Screw hex M5 x 6	1
21	101E310W	Gear box 280E	1
22	101E311F	Air deflector 280E	1
23	101E313K	Spindle lock spring	1
24	2570BBN208	Circlip 8	1
25	101E3169	Spindle lock 280E	1
26	801E314D	Armature 230V with bearing and fan EU	1
26	801E3161	Armature 110-120V with bearing and fan US-UK	1
27	2662MBDC62	Field screw	2
28	801E314E	Field coil 230V 280E-EU	1
28	801E3165	Field coil 100-120V 280E-US-UK-JP	1
29	101E35V0	Rubber bushing 280E	1
30	101E310Y	Motor bode plastic 280E	1
31	101E310D	Guidance light cylinder	1
32	83800242	Brush cover	2
33	83800233A1	Carbon brush SA 230V EU	2
33	83800232A1	Carbon brush SA 100-120V US-UK-JP	2
34	83800222A1	Brush holder 230V, 100-120V US-UK-JP-AU	2
35	2603BBLA23	Hex. Soc.set screw	2
36	266MBCE01	Speed sensor screw	2
37	801E323T	Speed sensor 280E	1
38	101E314J	Electronic unit 230V 280E-EU	1
38	101E323F	Electronic unit 110-120V 280E-US-UK	1
39	2852323N	Speed control switch	1
40	101E311J	End cup 280E	1
41	264631NQ	End cup screw	3
42	2637BBDA23	Cog wheel screw	1
43	101E311M	Vacuum connection	1
44	101E313F	Blade guard screw 280E	1
45	101E311U	Chip hatch 280E	1
46	25012QM7	Washer M5 DIN 125	1
47	2536MBE668	Spring pin	1
48	101E313N	Spring chip guide 280E	1
49	101E311C	Chip guide handle 280E	1
50	2660MBCE25	Chip guide screw 280E	4
51	11009-10	Pipe support 280	4
56	744628	Nut, protective M6 DIN 985	1
57	11534-00	Handle right	1
58	11530-00	Handle left	1
59	10983-04	Locking lever pin 3x12, (2535MNCB07)	2
60	11538-01	Locking lever with yellow	1
61	11539-00	Draw bar	1

Pos.	Part n:o	Description	Pcs/unit
62	2535316G	Dowel pin PIN 6x18	1
63	101E316A	Lock hook 280E	1
64	25012TJ9	Shim washer 6/18 -0.5	1
65	101E313M	Lock hook spring 280E	1
66	10951-10	Protective cable sleeving	1
67	10986-03	Screw handle M4 x 20 280E	7
68	11797-00	Electric switch MARQUARDT	1
69	378975	Cable clamp	1
70	10986-00	Cable clamp screw	2
71	10949-01	Power cord 230V EU	1
71	28073342	Power cord 110V UK ROUND PLUG	1
71	2807318H	Power cord 120V US	1
72	725927	Allen key M5	1
73	11121-00	Allen key M2	1
74	2536MBE663	Spring pin	1
75	101E311Q	Blade guard top bumper	1
76	2501MBDN06	Flat washer 6 x 13-1	1
77	101E31G8	Gripper knob 280E	1
78	101E31G6	Gripper knob collar 280E	1
79	101E310C	Compression spring	1
80	2501MBDN08	Flat washer 8 X 18-2	1
81	101E3139	Trapeze nut right 280E	1
82	101E310A	Trapeze screw (3pcd) 280E	1
83	264631NS	Screw attachment block	6
84	101E310Q	Roll pin trapeze nut 280E	4
85	101E3138	Trapeze nut left 280E	1
86	101E3116	Trapeze Screw Holder	6
87	101E310N	Pin short 280E	8
88	101E310F	Gripper wheel washer	30
89	101E310G	Pulling cast 280E	2
90	2020Z0608	Gripper Ball bearing	5
91	2668BBDA23	Socket head cap screw M5 X 8	4
92	101E310P	Pin long 280E	8
93	101E33KG	Flat washer 6 X 16-2	4
94	101E34R7	Eccenter adjustable wheel	1
95	101E35R7	Eccenter flange bearing	2
96	101E313B	Wheel eccenter 280E	1
97	2606BDLA06	Stop screw adjustable wheel	1
98	101E310J	Turning cast adjust. 280E	1
99	101E311W	Protection bellows 280E	1
100	101E312U	Counter peg 280E	1
101	101E310H	Turning cast 280E	1
102	101E313A	Gripper wheel	2
103	2501MNDN53	Washer 12/18 -0.5 280E	1
104	101E310R	Flange bearing GFM-1214-09	1
105	2536MBE639	Pin 4X30 DIN 1481	1
106	101E311X	Contact protection 280E	2
107	101E310T	Body cast 280E	1
108	101E311E	Stopper 280E	1
109	2536MBE623	Spring pin	1
110	2677BBDA53	Screw 6/M5-10 ISO 7379	1
111	101E313L	Lifting spring 280E	1
112	101E3124	Main shaft	1
113	101E310M	Flange bearing	1
114	101E310L	Ratched spring	2
115	264631NT	Screw with low head M4 X 6	2
	101E3302	PipeCut Bag 4	1